

Indicative Timing

Mining Act (MA) Assessment of Mining Proposals

Proponent / Tenement Holder

Department of Industry and Resources (DOIR)

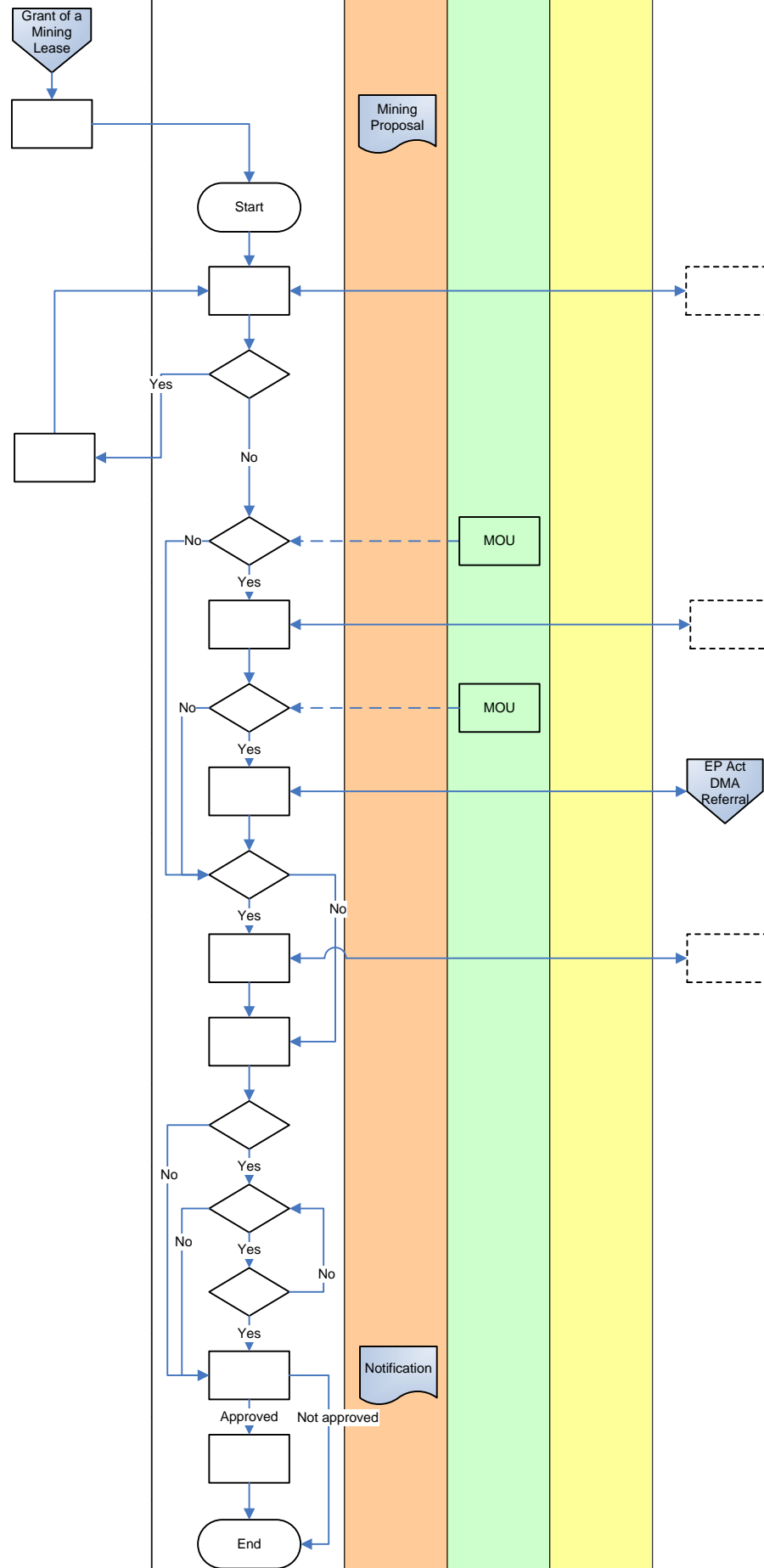
Key Documents

Document Templates/ Guidelines

Supporting Technology

External Stakeholders

1. Proponent lodges mining proposal for application / granted mining lease.
2. Assessment process commences.
3. DoIR screens information provided.
4. Is further information required from the Proponent?
5. Proponent provides further information.
6. Might referral to EPA be required?
7. DoIR consults with Department of Environment and Conservation (DEC) regarding referral to the Environmental Protection Authority (EPA).
8. Is application to be referred to the EPA?
9. DoIR refers to EPA.
10. Are comments required from other agencies or internal sections?
11. DoIR seeks advice from agencies and/or internal sections.
12. DoIR prepares assessment report.
13. Is approval of the Mining Proposal recommended?
14. Is an EP Act s45(7) authorisation permitting this decision required?
15. Has an EP Act s45(7) authorisation been received?
16. DoIR notifies Proponent of outcome.
17. DoIR updates conditions of mining lease.
18. Assessment process finalised.



± 2 weeks

± 3 months

± 2 weeks